



HEIDENHAIN



Product Information

ECI 1319 S **EQI 1331 S**

Absolute Rotary Encoders
without Integral Bearing

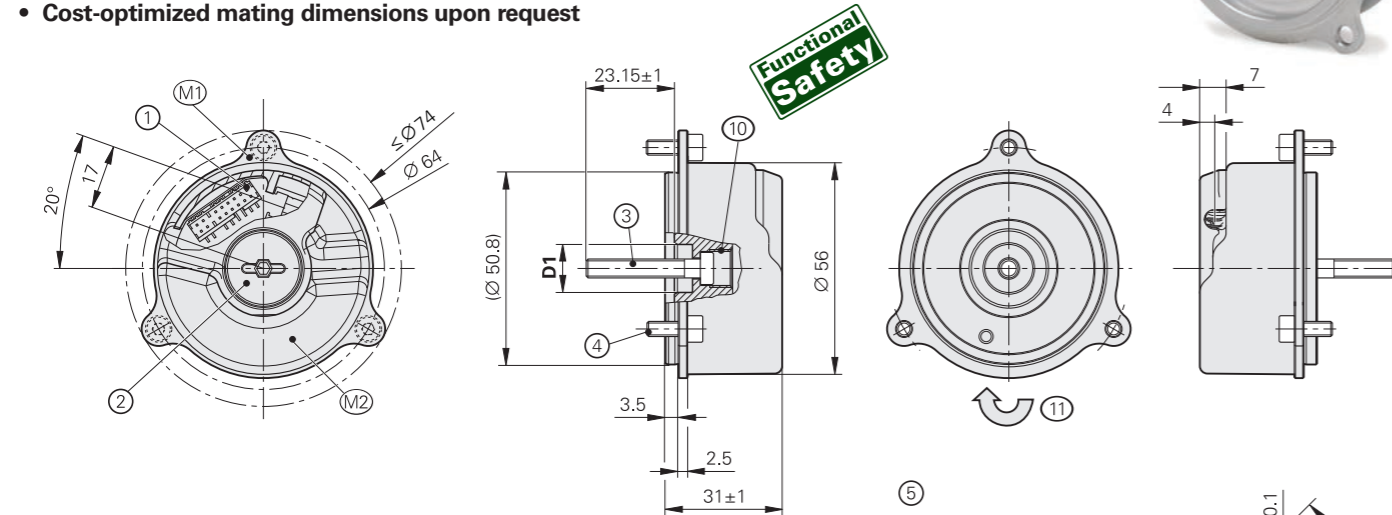
DRIVE-CLiQ (firmware 15)

OYA (44A/44C) flange

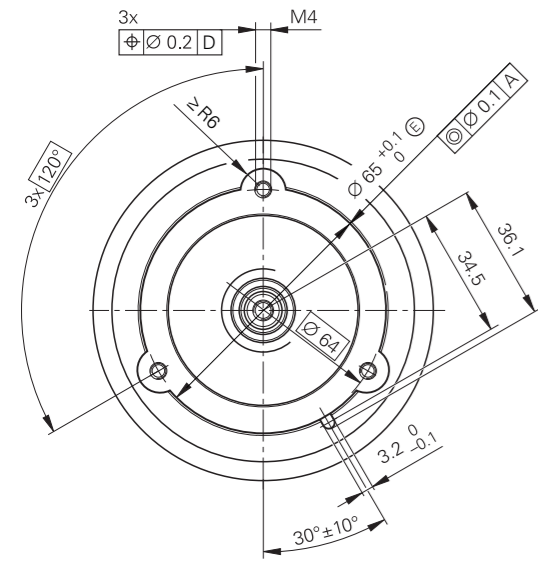
ECI 1319 S, EQI 1331 S

Rotary encoders for absolute position values with safe singleturn information

- Robust inductive scanning principle
- Mounting-compatible with photoelectric rotary encoders with a 07B stator coupling
- 0YA mounting flange
- Blind hollow shaft for axial clamping $\varnothing 12.7$ mm (44C) or $\varnothing 12$ mm (44A)
- Cost-optimized mating dimensions upon request



Required mating dimensions

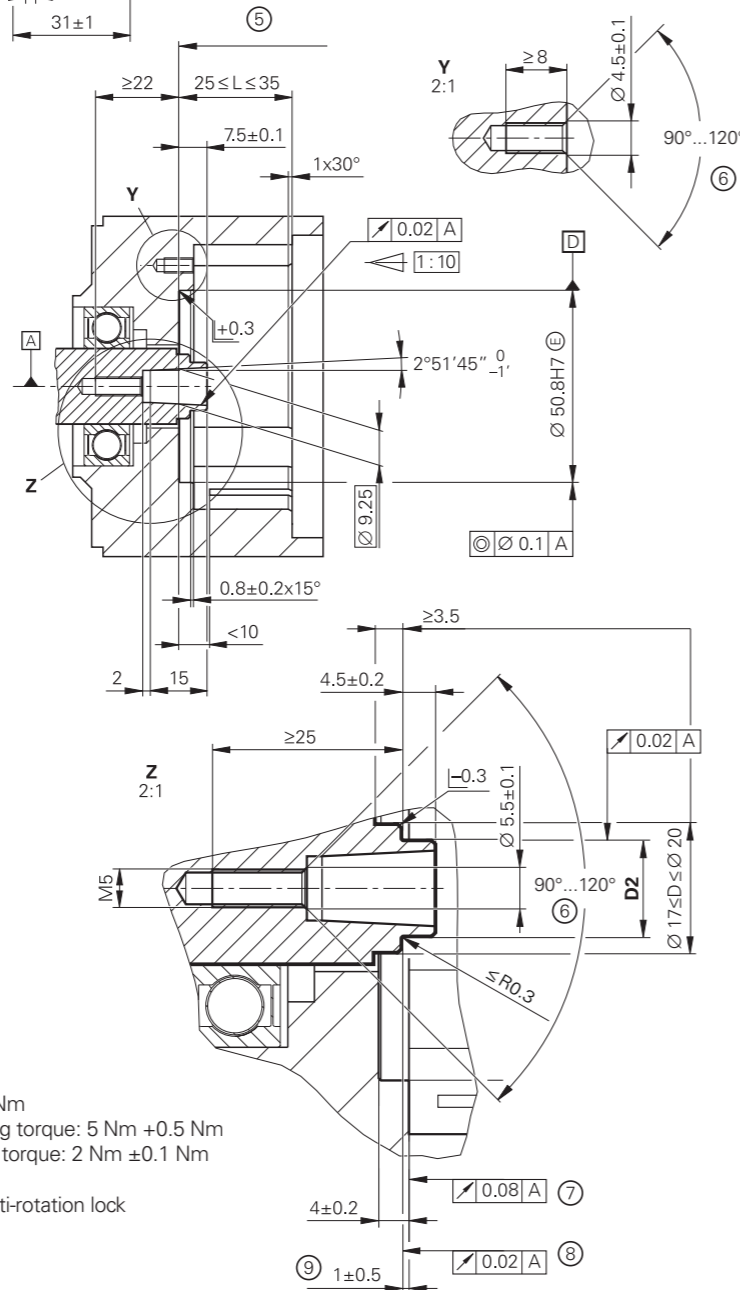


D1	D2
$\varnothing 12G6 \text{ (E)}$	$\varnothing 12h6 \text{ (E)}$
$\varnothing 12.7G6 \text{ (E)}$	$\varnothing 12.7h6 \text{ (E)}$

mm

 Tolerancing ISO 8015
 ISO 2768:1989 - m H
 ≤ 6 mm: ± 0.2 mm

- = Bearing of mating shaft
- M1 = Measuring point for operating temperature
- M2 = Measuring point for vibration (see D741714)
- 1 = 12-pin + 4-pin header
- 2 = Screw plug; widths A/F 3 and 4; tightening torque: 5 Nm +0.5 Nm
- 3 = Screw: DIN 6912 - M5x30 - 08.8 - MKL; width A/F 4; tightening torque: 5 Nm +0.5 Nm
- 4 = Screw: ISO 4762 - M4x10 - 8.8 - MKL; width A/F 3; tightening torque: 2 Nm ± 0.1 Nm
- 5 = Functional diameter of taper for ECN/EQN 13xx
- 6 = Chamfer at start of thread is mandatory for material bonding anti-rotation lock
- 7 = Flange surface ExI/resolver; ensure full-surface contact!
- 8 = Shaft surface; ensure full-surface contact!
- 9 = Mounting clearance between shaft surface and flange surface; compensation of mounting tolerances and thermal expansion; ECI/EQI: dynamic motion permitted over entire range; ECN/EQN: no dynamic motion permitted
- 10 = M10 back-off thread
- 11 = Direction of shaft rotation for ascending position values



Specifications	ECI 1319 S singleturn	EQI 1331 S multiturn
Functional safety for applications with up to	As a single-encoder system for monitoring functions and control-loop functions: <ul style="list-style-type: none"> • SIL 2, as per EN 61508 (further basis for testing: IEC 61800-5-3) • Category 3, PL d, in accordance with EN ISO 13849-1:2015 Safe in the singleturn range	
PFH ¹⁾	$SIL 2: \leq 27 \cdot 10^{-9}$ (probability of dangerous failure per hour)	
Safe position ²⁾	<i>Encoder:</i> $\pm 0.88^\circ$ (safety-related measuring step SM = 0.35°) <i>Mechanical coupling:</i> 0° (fault exclusion for the loosening of the shaft coupling and stator coupling; designed for accelerations at the stator of ≤ 400 m/s ² ; at the rotor: ≤ 600 m/s ²)	
Interface	DRIVE-CLiQ	
Ordering designation	DQ01	
Position values per revolution	524288 (19 bits)	
Firmware	01.32.27.15	
Siemens software ³⁾	SINAMICS, SIMOTION: ≥ 4.6 HF3 SINUMERIK with safety: ≥ 4.7 SP1 HF1; SINUMERIK without safety: ≥ 4.5 SP2 HF4	
Revolutions	-	4096 (12 bits)
TIME_MAX_ACTVAL ⁴⁾	≤ 12 μ s	
System accuracy	$\pm 65''$	
Electrical connection	<i>Encoder PCB connector:</i> 16-pin; with connection for temperature sensor ⁵⁾	
Cable length	≤ 40 m (see description in the <i>Interfaces of HEIDENHAIN Encoders</i> brochure)	
Supply voltage	DC 24 V (10 V to 28.8 V; up to DC 36.0 V possible without impairing the functional safety)	
Power consumption ⁶⁾ (maximum)	At 10 V: ≤ 1100 mW At 28.8 V: ≤ 1250 mW	At 10 V: ≤ 1200 mW At 28.8 V: ≤ 1350 mW
Current consumption (typical)	At 24 V: 40 mA (without load)	At 24 V: 45 mA (without load)
Shaft	Blind hollow shaft for axial clamping $\varnothing 12.7$ mm (44C) or $\varnothing 12$ mm (44A)	
Spindle speed	≤ 15000 rpm	≤ 12000 rpm
Moment of inertia of rotor	$2.45 \cdot 10^{-6}$ kgm ²	$2.6 \cdot 10^{-6}$ kgm ²
Angular acceleration of rotor	$\leq 1 \cdot 10^5$ rad/s ²	
Axial motion of measured shaft	$\leq \pm 0.5$ mm	

- ¹⁾ For use at ≤ 1000 m above sea level (≤ 6000 m above seal level upon request)
- ²⁾ Further tolerances may arise in the downstream electronics after position value comparison (contact the manufacturer)
- ³⁾ Information from Siemens as per the document "Certified encoders with DRIVE-CLiQ Dependencies on SIMOTION / SINUMERIK and SINAMICS Hardware and Software versions" (version: 04/2019)
- ⁴⁾ The calculation time TIME_MAX_ACTVAL specifies the time after which a data transfer from the encoder to the control can start within the current-regulator clock time
- ⁵⁾ See *Temperature measurement in motors* in the *Encoders for Servo Drives* brochure
- ⁶⁾ See *General electrical information* in the *Interfaces of HEIDENHAIN Encoders* brochure or at www.heidenhain.com

DRIVE-CLiQ is a registered trademark of Siemens AG

Specifications	ECI 1319 S singletum	EQI 1331 S multitum
Vibration 55 Hz to 2000 Hz ⁷⁾ Shock 6 ms	Stator: ≤ 400 m/s ² ; rotor: ≤ 600 m/s ² (EN 60068-2-6) ≤ 2000 m/s ² (EN 60068-2-27)	
Operating temperature	−40 °C to 100 °C	
Trigger threshold of error message for excessive temperature	120 °C (measuring accuracy of the internal temperature sensor: ±1 K)	
Relative humidity	≤ 93% (40 °C/21 d as per EN 60068-2-78), condensation excluded	
Protection rating EN 60529	IP20 (read about insulation under <i>General electrical information</i> in the <i>Encoders for Servo Drives</i> brochure)	
Mass	≈ 0.13 kg	
ID number*	ID 1222049-01 (shaft 44C) ID 1222049-02 (shaft 44A)	ID 1222051-01 (shaft 44C) ID 1222051-02 (shaft 44A) ID 1222051-51 (shaft 44C) ⁸⁾

* Please select when ordering; 44A shaft upon request

⁷⁾ 10 Hz to 55 Hz, 4.9 mm constant peak to peak

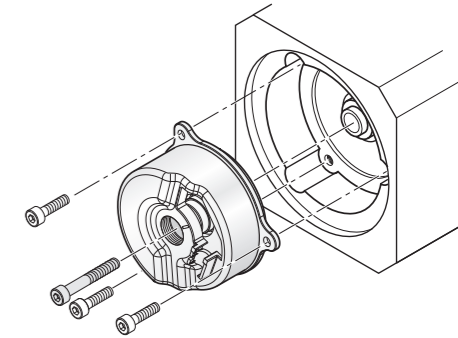
⁸⁾ In collective package

Mounting

The blind hollow shaft of the rotary encoder is pressed onto the measured shaft and fastened with a central screw. Mounting on the stator side is performed via a centering diameter with three mounting screws. Use screws with material bonding anti-rotation lock (see *Mounting accessories*).

The following conditions must be complied with for the customer-side mounting design:

	Mating stator	Mating shaft
Material	Aluminum	Steel



Further information:

Also pay attention to the other material properties in the *Encoders for Servo Drives* brochure (ID 208922-xx).

Mounting accessories

Screws

Screws (central screw, mounting screws) are not included in delivery and can be ordered separately.

ECN 1319 S EQN 1331 S	Screws ¹⁾	Lot size
Central screw for shaft fastening	ISO 6912-M5x30-08.8-MKL ID 202264-76	10 or 100
Mounting screw for flange	ISO 4762-M4x10-8.8-MKL ID 202264-85	30 or 300

¹⁾ With coating for material bonding anti-rotation lock

Please note the information on screws from HEIDENHAIN in the *Encoders for Servo Drives* brochure, under the heading *Screws with material bonding anti-rotation lock* in the chapter *General mechanical information*.

Mounting aid

To avoid damage to the cable, use the mounting aid to connect and disconnect the cable assembly. The pulling force must be applied solely to the connector and not to the wires.

ID 1075573-01

For further mounting information and mounting aids, please refer to the relevant mounting instructions and the *Encoders for Servo Drives* brochure. The mounting quality can be checked with the PWM 21 and the ATS software.



Integrated temperature evaluation

This rotary encoder features an internal temperature sensor integrated into the encoder electronics, as well as an evaluation circuit for an external temperature sensor. The digitized temperature value of the external temperature sensor can be transferred purely serially over the DRIVE-CLiQ interface. Please bear in mind that neither the temperature measurement nor the transmission of the temperature value is safe in terms of functional safety.

The temperature measured by the internal temperature sensor is higher by a device-specific and application-specific amount than the temperature at measuring point M1 in accordance with the dimension drawing. Upon reaching a trigger threshold for the internal temperature, the rotary encoder outputs an "Alarm 135" error message. This threshold may vary depending on the encoder model and is stated in the specifications. During operation, it is recommended that the temperature be kept adequately below this threshold.

Compliance with the operating temperature at measuring point M1 is required for adherence to the encoder's proper and intended use.

Temperature measurement in motors

To protect a motor from overloading, the motor manufacturer usually installs a temperature sensor in close proximity to the motor winding.

For this purpose, a PT 1000 or, for example, a KTY 84-130 semiconductor sensor is to be used. For a PT1000, the following values apply with regard to the accuracy of the evaluation circuit:

±6 K at -40 °C to 80 °C
 ±4 K at 80.1 °C to 160 °C
 ±6 K at 160.1 °C to 200 °C

For a KTY 84-130 semiconductor sensor, the following values apply with regard to the accuracy of the evaluation circuit:

±6 K at -40 °C to 80 °C
 ±2 K at 80.1 °C to 160 °C
 ±6 K at 160.1 °C to 200 °C

The temperature values are transmitted via the DRIVE-CLiQ protocol.

The temperature sensor used is adjustable via Parameter 601 in the configuration software (e.g., Starter software) of the drive.

Electrical connection

Cables

EPG encoder cable inside the motor Ø 3.7 mm; 2 × (2 × 0.06 mm ²) + 4 × 0.06 mm ² ; A _P = 0.06 mm ² with shield crimping Ø 6.1 mm and wires for temperature sensor ¹⁾ TPE 2 × 0.16 mm ²		
16-pin PCB connector and 9-pin M23 SpeedTEC angle flange socket (male) with wires for temperature sensor		ID 1120945-xx

¹⁾ Electromagnetic compatibility must be ensured in the complete system.

PUR adapter cable Ø 6.8 mm; 2 × (2 × 0.17 mm ²) + 2 × 0.24 mm ² ; A _P = 0.24 mm ²		
9-pin M23 SpeedTEC* connector (female) and 8+2-pin RJ45 connector (IP20)		ID 1121546-xx
9-pin M23 SpeedTEC connector (female) and 8-pin M12 coupling (male)		ID 1121536-xx

A_P: Cross section of power supply lines

* SpeedTEC is a registered trademark of TE Connectivity Industrial GmbH

Pin layout

	9-pin M23 right-angle socket			16-pin PCB connector					
								16	
		Power supply		Serial data transmission			Other signals ¹⁾		
	M23	8	4	5	6	1	2	/	/
	16	3a	4b	6b	1a	2b	5a	8a	8b
		U _P	0V	RXP	RXN	TXP	TXN	T ⁺ ²⁾	T ⁻ ²⁾
		White	White/Green	Gray	Pink	Violet	Yellow	Brown	Green

¹⁾ Only for adapter cables inside the motor housing

²⁾ Connections for external temperature sensor; regarding evaluation, refer to *Temperature measurement in motors* in the *Encoders for Servo Drives* brochure

Cable shield connected to housing; **U_P** = Power supply voltage

Vacant pins or wires must not be used!

Note for safety-related applications: Only completely assembled HEIDENHAIN cables are qualified. Do not modify cables or exchange their connectors without first consulting with HEIDENHAIN Traunreut.

HEIDENHAIN

DR. JOHANNES HEIDENHAIN GmbH
 Dr.-Johannes-Heidenhain-Straße 5
83301 Traunreut, Germany
 ☎ +49 8669 31-0
 📠 +49 8669 32-5061
 info@heidenhain.de

www.heidenhain.com

This Product Information document supersedes all previous editions, which thereby become invalid. The basis for ordering from HEIDENHAIN is always the Product Information document edition valid when the order is placed.

More information:

Comply with the requirements described in the following documents to ensure correct and intended operation:

- Operating Instructions 1386379
- Brochure: *Interfaces of HEIDENHAIN Encoders* 1078628-xx
- Brochure: *Cables and Connectors* 1206103-xx
- Technical Information document: *Safety-Related Position Measuring Systems* 596632